

シンガポール ePatent search 特許・商標・意匠(英語)

目次

- 接続 URL
<http://www.ipos.gov.sg/Services/FilingandRegistration/GettingStartedwiththeServices/eSearch.aspx>
- 特許 (Simple Advanced Specification)
- 商標 (Similar Mark Search Online Trade Marks Search Classification of Goods and Services)
- 意匠

概要

・提供機関

Government of Singapore

・検索対象

特許 商標 意匠

・検索可能期間

右表参照

Patent Specifications	From 1937 onwards All
Patent Bibliographic & Register information	From 1937 onwards All

・演算子

and or not

・検索

SimpleとAdvancedは検索項目を選択して、入力欄に番号や技術用語を入力する。Specificationは技術用語で概念検索が可能とみられる。

• 表示

2012 Simple, Advanced, Specification : 一覧表示にリンクタブ

- SERVICES**
- Filing and Registration
 - Getting Started with eServices
 - eFiling
 - eJournals
 - eSearch**
 - Forms and Fees
 - Payment
 - User Guides
 - FAQs
 - Frequently Used Terms
 - Hearings and Mediation
 - Copyright Related Services
 - IP Service Providers



Home > Services > Filing and Registration > Getting Started with eServices > eSearch



eSearch

eSearch services encompass Patents, Trademarks and Designs search functions for applications filed with IPOS.

Please click on the links below to access the respective eSearch :

- [ePatents Search](#) ← 特許検索
- [eTrademarks Search](#) ← 商標検索
- [eDesigns Search](#) ← 意匠検索



<p>INFORMATION</p> <ul style="list-style-type: none"> For General Public For C-suite Executives / Businesses For IP Professionals For Media 	<p>COMMON TYPES OF IP</p> <ul style="list-style-type: none"> Patents Trade Marks Registered Designs Plant Varieties Copyright 	<p>CONNECT WITH US</p> <ul style="list-style-type: none"> Events Sponsorship and Collaboration Contact Information 	<p>QUICK LINKS</p> <ul style="list-style-type: none"> WIPO IP Hub Master Plan IP Academy Public Consultations Funding and Assistance 	
--	---	---	--	--



ePatents is an online service facilitating filings and searches on patents.

[Home](#) > [Patent Search](#) > Simple Search

Patents

Search Type **PATENT SEARCH**

- > [Simple](#) Patent Search is an online search database where users may conduct searches for any patent application or patent that has been published in Singapore (where available). Access of information and downloads of patent registers and specifications are available free-of-charge.
- > [Advanced](#)
- > [Specification](#)

Name: (Applicants, Proprietors, Inventors) [Help](#)

Application No. - (Application / Patent Number) [Help](#)

Title (Title/Abstract) [Help](#)

Receipt No: (Receipt Number, Available for PF1, PF1(2004) and PF37)

Results Display Format

Order: [Help](#)

Record/page:

出力順と1画面の出力件数

Results Formatter

- Publication Number
- Title
- Application Number
- Filing Date
- Inventor(s)
- Applicant(s)
- International Patent Classification

一覧表示出力項目の選択

他の
サーチへ

ヘルプ

データ蓄積期間について

免責事項

DISCLAIMER

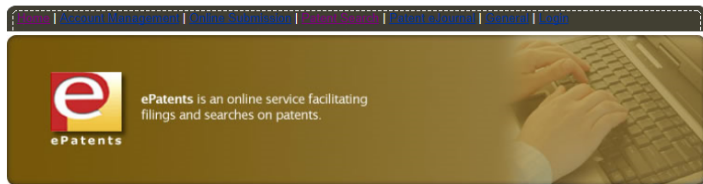
This search facility ("this facility") makes available information pertaining to information ([Data Availability](#)) related to patents at the Registry of Patents, Intellectual Property Office of Singapore ("IPOS"). The use of this facility, or the use or reliance on any information accessed through this facility, is entirely at the user's risk. Neither IPOS, nor the Registrar represent, warrant, or otherwise guarantee, expressly or impliedly, the merchantability, fitness or suitability for a particular purpose, accuracy, reliability, or completeness of any information made available on or accessed through this facility. The user is solely responsible for all determinations regarding any use of information made available or accessed through this facility. Whilst care has been taken to ensure that information is correct and updated, neither IPOS nor the Registrar undertakes any responsibility for errors or omissions. Each of IPOS and the Registrar hereby disclaims, to the fullest extent permitted under applicable law, any and all liability for loss, damage, or injury directly or indirectly suffered or incurred by anyone using this facility, or by anyone using or relying on any information made available or accessed through this facility. Neither IPOS nor the Registrar, shall in any way be bound by any output or results obtained through the use of this facility. IPOS reserves the right to suspend, modify or discontinue this facility at any time without prior notice.

In this Disclaimer Statement, "Registrar" means the Registrar of Patents referred to in Section 4 of the Patents Act (Cap. 221).

Visitor No: 10714014

If you encounter any problems, please contact us at 64909568, or email epatents@i-maginationsolution.com. You may also give us your comments at [Feedback](#).

Last updated on 20 August 2013



[Home](#) > [Patent Search](#) > Advanced Search

Patents

Search Type

- > [Simple](#)
- > [Advanced](#)
- > [Specification](#)

Patent Search is an online search database where users may conduct searches for any patent application or patent that has been published in Singapore (where available). Access of information and downloads of patent registers and specifications are available free-of-charge.

Structure Data Fields (Search on Patent Information) [Help](#)

* Blank field value will be ignored

NOT	Field Name	Field Value	AND/OR
<input type="checkbox"/>	-- Not Selected --	(day) (month) (year) From <input type="text"/> - <input type="text"/> - <input type="text"/> To <input type="text"/> - <input type="text"/> - <input type="text"/>	<input type="radio"/>
<input type="checkbox"/>	-- Not Selected --	<input type="text"/>	<input type="radio"/>
<input type="checkbox"/>	-- Not Selected --	<input type="text"/>	<input type="radio"/>
<input type="checkbox"/>	-- Not Selected --	<input type="text"/>	<input type="radio"/>
<input type="checkbox"/>	-- Not Selected --	<input type="text"/>	<input type="radio"/>

*Note that the priority of the boolean operators is from top to the bottom
*Patent abstract data available only for direct national filing cases and PCT cases up to 1995.

*EP App No. or P-No. includes:
1) UK or EP application No. for S.116(6) cases
2) UK or EP publication No. for RUKPA cases

Results Display Format [Help](#)

Order : Oldest Last
Record/page : 10

Results Formatter [Help](#)

- Patent Number
- Title
- Application Number
- Filing Date
- Inventor
- Applicant
- International Patent Classification

日付の指定

出願番号・公報番号
UK/EP出願番号・公報番号
PCT出願番号・公報番号
優先権番号
IPC
出願人、権利者の国コード
発明者の国コード
出願人・権利者、発明者名
発明の名称
抄録

出力順と1画面の出力件数

一覧表示出力項目の選択

ヘルプ

演算子
優先順序は
上⇒下



ePatents is an online service facilitating filings and searches on patents.

[Home](#) > [Patent Search](#) > Simple Search

Patents

Title Search on : solar cell

132 record(s) found.

Results from 1 to 5 out of 132

[1] Application Number : 201304636-2

[Basic](#) [Register](#) [Specification](#) [Abstract](#)

Publication No: 191192
Title: METHOD FOR CONNECTING SOLAR CELLS
Application Number: 201304636-2

書誌
情報

[2] Application Number : 201304253-6

[Basic](#) [Register](#) [Specification](#) [Abstract](#)

Publication No: 190963
Title: TREE-SHAPED SOLAR CELL MODULE
Application Number: 201304253-6

公報ダウ
ンロード

[3] Application Number : 201303846-8

[Basic](#) [Register](#) [Specification](#) [Abstract](#)

Publication No: 190332
Title: DIRECT CURRENT ION IMPLANTATION FOR SOLID PHASE EPITAXIAL

REGISTER OF PATENTS

REGISTER ENTRY FOR SG PUBLICATION NO: 191192

Application No.: 201304636-2 Filing date: 17/Nov/2011
PCT Application No.: PCT/US2011/061217 Entry Date: 14/Jun/2013
Priority claimed: 23/Dw/2010 US 12/978,259
Title of Invention: METHOD FOR CONNECTING SOLAR CELLS
Applicant/Proprietor (s): SUNPOWER CORPORATION (DOW US), 77 RICO ROBLES, SAN JOSE, CALIFORNIA 95134 CALIFORNIA UNITED STATES OF AMERICA
Inventor(s): PHU, THOMAS, 1125 SHELL GATE PLACE ALAMEDA, CALIFORNIA, 94501 (US) CALIFORNIA UNITED STATES OF AMERICA
KUMARIA, SHASHWAT, 242 ACALANES DRIVE SUNNYVALE, CALIFORNIA, 94089 (US) CALIFORNIA UNITED STATES OF AMERICA
DELEON, BRICCIO, 857 MACLALANG SUBD, SAN PABLO, LAGUNA, 4000 (PH) PHILIPPINES
Patent Agent: SPRUSON & FERGUSON (ASIA) PTE LTD, P.O. BOX 1531, ROBINSON ROAD POST OFFICE, SINGAPORE 903031
Address for service: P.O. BOX 1531, ROBINSON ROAD POST OFFICE, SINGAPORE 903031
PCT Publication No.: WO 2012/087462
SG Publication No.: 191192
Other Entries:
Date Event
24/Jun/2013 SPRUSON & FERGUSON (ASIA) PTE LTD, P.O. BOX 1531, ROBINSON ROAD POST OFFICE, SINGAPORE 903031 REGISTERED AS PATENT AGENT
25/Jun/2013 NOTIFICATION OF PCT NATIONAL PHASE ENTRY
31/Jun/2013 REQUEST FOR EXTENSION OF PERIODS UNDER SECTIONS 29(7) AND 30(1)(a) FILED
31/Jun/2013 BIBLIOGRAPHIC PUBLICATION OF APPLICATION FILED

法的
情報

抄録

51
ABSTRACT
TREE-SHAPED SOLAR CELL MODULE

A tree-shaped solar cell module includes branch modules and a trunk module which are assembled with each other into the tree-shaped solar cell module. Each branch of the tree-shaped solar cell module has high strength to be prevented from being shaken with wind, and each branch does not have twigs or leaves and is thus prevented from being shaken by wind. Each branch may have a circular or polygonal shape such as a triangular shape or a quadrangular shape so that sunlight may evenly come to the tree-shaped solar cell module. Like branches of a tree which are directed upwardly, downwardly or horizontally, the branch modules may be assembled in such a manner that the branch modules have angles in a horizontal, upward or downward direction from the trunk module. The tree-shaped solar cell module may be installed in any sunny place even if it is a steep mountain with a large slope, a field of a flatland or a desert, and may be installed in a tree-planting manner without the need of reclamation and flattening of land. Grasses may grow all around the area where the tree-shaped solar cell module is installed to achieve a green area and the green area may be used as a ranch or a farm. If the tree-shaped solar cell module is installed in a desert area, it can be placed far away from the ground and have influenced by the radiant heat of the ground, thus preventing degradation of efficiency caused by high temperature. As the land of China is being rapidly desertified, the tree-shaped solar cell module of the present invention may be installed in the land of the tree-shaped solar cell module of the present invention may be installed in the land of China to adjust the intensity of wind and thus limit sand transport and set up an environment that allows plants to grow, thus enabling solar generation that saves the earth.

25

概念検索(?)画面

「solar cell」で
「solar battery」もヒット



ePatents is an online service facilitating filings and searches on patents.

[Home](#) > [Patent Search](#) > Specification Search

Patents

Search Type

- > [Simple](#)
- > [Advanced](#)
- > [Specification](#)

Patent Search is an online search database where users may conduct searches for any patent application or patent that has been published in Singapore (where available). Access of information and downloads of patent registers and specifications are available free-of-charge.

Specification: GO Year: 1991 - Current [Help](#)
[Data Availability](#)

- Boolean operators AND, AND NOT, OR can be used to search for more specific data.

[Reset](#)

Results Display Format [Help](#)

Record/page : 10

Results Formatter [Help](#)

- Publication Number
- Title
- Application Number
- Filing Date
- Inventor(s)
- Applicant(s)
- International Patent Classification

日付の指定

ヘルプ

検索可能
期間

出力順と1画面の出力件数

一覧表示出力項目の選択

法的
情報

REGISTER OF PATENTS

REGISTER ENTRY FOR SG PUBLICATION NO: 173708

Application No.: 20110581-5 Filing date: 17/Feb/2010
PCT Application No.: PCT/JP2010/052330 Entry date: 16/Aug/2011
Priority claimed: 17/Feb/2009 JP 2009-033843
Title of Invention: SOLAR BATTERY MODULE
Applicant/Proprietor (S): SHIN-ETSU CHEMICAL CO., LTD. (JP), OHTEMACHI 2-CHOME, CHIYODA-KU, TOKYO 100-0004 JAPAN
Inventor(s): MURAKAMI TAKASHI C/O SHIN-ETSU CHEMICAL CO., LTD., 6-1, OHTEMACHI 2-CHOME, CHIYODA-KU, TOKYO 100-0004 JAPAN
OTSUKA HIROYUKI C/O ADVANCED FUNCTIONAL MATERIALS RESEARCH CENTER, SHIN-ETSU CHEMICAL CO., LTD., 13-1, ISOBE 2-CHOME, ANNAKA-SHI, GUNMA 3780195 JAPAN
WATABE TAKENORI C/O ADVANCED FUNCTIONAL MATERIALS RESEARCH CENTER, SHIN-ETSU CHEMICAL CO., LTD., 13-1, ISOBE 2-CHOME, ANNAKA-SHI, GUNMA 3780195 JAPAN
ISHIKAWA NAOKI C/O ADVANCED FUNCTIONAL MATERIALS RESEARCH CENTER, SHIN-ETSU CHEMICAL CO., LTD., 13-1, ISOBE 2-CHOME, ANNAKA-SHI, GUNMA 3780195 JAPAN

International Patent Classification: H01L 31/042
Patent Agent: SPRUSON & FERGUSON (ASIA) PTE LTD P.O. BOX 1831 ROBINSON ROAD POST OFFICE SINGAPORE 903031
Address for service: P.O. BOX 1831 ROBINSON ROAD POST OFFICE SINGAPORE 903031
PCT Publication No.: WO 2010/09554 Date of 29/Sep/2011
SG Publication No.: 173708 Publication of Entry into National Phase:

Other Entries:

Date	Event
24/Aug/2011	NOTIFICATION OF PCT NATIONAL PHASE ENTRY
24/Aug/2011	ELLA CHEONG SPRUSON & FERGUSON (SINGAPORE) PTE LTD, P.O. BOX 1831, ROBINSON ROAD POST OFFICE, SINGAPORE 903031 REGISTERED AS PATENT AGENT
15/Sep/2011	REQUEST FOR EXTENSION OF PERIODS UNDER SECTIONS 29(7) AND 30(1)(A) FILED
29/Sep/2011	BIBLIOGRAPHIC PUBLICATION OF APPLICATION FILED
21/Mar/2012	COMBINED SEARCH AND EXAMINATION REQUEST FILED ON 19/3/2012
25/Feb/2013	APPLICATION FOR AMENDMENT OF SPECIFICATION ACCEPTED BY THE REGISTRAR
29/May/2013	COMBINED SEARCH AND EXAMINATION REPORT RECEIVED

[Home](#) > [Patent Search](#) > Specification Search

Patents

Search Results from library (1991 - Current): Found 1515 matches

Results from 1 to 10 of 1515

[1] Application Number : 201105881-5 (97%) [Basic](#) [Register](#) [Specification](#) [Abstract](#)

Publication No: 173708
Title: SOLAR BATTERY MODULE
Application Number: 201105881-5

一致度

書誌
情報

公報ダウ
ンロード

抄録

ABSTRACT Application No. 201105881-5

TEXT OF THE ABSTRACT

Disclosed is a solar battery module in which there are alternately provided: a first solar battery cell (1) equipped with a first conductive substrate having a photoreceptor face and non-photoreceptor face, and electrodes (3) having mutually different polarity respectively formed on the photoreceptor face and non-photoreceptor face; and a second solar battery cell (2) equipped with a second conductive substrate having a photoreceptor face and non-photoreceptor face, and electrodes (3) having mutually different polarity respectively formed on the photoreceptor face and non-photoreceptor face.

[2] Application Number : 201304253-6 (96%) [Basic](#) [Register](#) [Specification](#) [Abstract](#)

Publication No: 190963
Title: TREE-SHAPED SOLAR CELL MODULE
Application Number: 201304253-6

[3] Application Number : 201300958-4 (96%) [Basic](#) [Register](#) [Specification](#) [Abstract](#)

Publication No: 188196
Title: CHUCKS FOR SUPPORTING SOLAR CELL IN HOT SPOT TESTING
Application Number: 201300958-4



eTrademarks is an online service facilitating filings and searches on trade marks.

eTrademarks Search

Select Search Option:

- Similar Mark Search
- Online Trade Marks Search
- Classification of Goods and Services

Similar Mark Search=商標名検索
Online Trade Marks Search=商標の状態等の検索
Classification of Goods and Services=商標分類照会

mark], which you can use to select your goods and/or services. Please note that no objections will be raised against the descriptions selected from the Search & Pick facility. To access the electronic Form TM4, please click [here](#). This Classification of Goods and Services database is the same as the database in the Search & Pick facility.)

上記Select Search
Optionのいずれかを選
択してからクリック

Next

DISCLAIMER STATEMENT

免責事項

This search facility ("this facility") makes available information pertaining to information related to trade marks at the Registry of Trade Marks, Intellectual Property Office of Singapore ("IPOS"). The use of this facility, or the use or reliance on any information accessed through this facility, is entirely at the user's risk. Neither IPOS, nor the Registrar represent, warrant, or otherwise guarantee, expressly or impliedly, the merchantability, fitness or suitability for a particular purpose, accuracy, reliability, or completeness of any information made available on or accessed through this facility. The user is solely responsible for all determinations regarding any use of information made available or accessed through this facility. Whilst care has been taken to ensure that information is correct and updated, neither IPOS nor the Registrar undertakes any responsibility for errors or omissions. Each of IPOS and the Registrar hereby disclaims, to the fullest extent permitted under applicable law, any and all liability for loss, damage, or injury directly or indirectly suffered or incurred by anyone using this facility, or by anyone using or relying on any information made available or accessed through this facility. Neither IPOS nor the Registrar, shall in any way be bound by any output or results obtained through the use of this facility. IPOS reserves the right to suspend, modify or discontinue this facility at any time without prior notice.

In this Disclaimer Statement, "Registrar" means the Registrar of Trade Marks referred to in Section 62 of the Trade Marks Act (Cap. 332).

Last updated on 15 Aug 2013



eTrademarks is an online service facilitating filings and searches on trade marks.

Similar Marks Search

[Click here for Similar Mark Search Guidelines](#)

Search Criteria

Note:

- (i) To facilitate faster and more accurate search results, please enter search criteria in specific terms.
- (ii) You should enter search criteria for the prominent or distinctive elements of the mark.
- (iii) For non-word marks, appropriate description in words for the device should be entered.
- (iv) If a mark consists of foreign words/characters, the translation of the foreign words/characters can be entered in the Text Search field.
- (v) For Chinese character marks, please enter the Chinese characters under the Chinese Character Search field in BIG5 code only. You are required to set the "Encoding" or "Character Coding" option in a browser to Chinese Traditional (BIG5) before entering the Chinese characters. When you set the option, if you are prompted to download any Chinese text display support component, please proceed to download it. For example, for Internet Explorer, you may be prompted to download Chinese (Simplified) Text Display Support.
- (vi) Please note that the system will retrieve results matching the individual search terms entered and the results will not differentiate between word marks and non-word marks.

Text Search

Chinese Character Search (Key in Chinese characters in BIG5 code only)
[Click here for Chinese Character Support Installation Guide](#)

Search Class * (Class range or individual number. E.g. 1-5 or 1,3,4) [Click here for list of classes](#)

 Disable Cross-Class Search

Note: Due to changes made to the International Classification of Goods and Services, cross-class searches will be conducted. Cross-class searches enable search reports to capture marks with goods and/or services that were previously classified in a different class. For example, the goods "vending machines" was classified in Class 9 under the Ninth (9th) edition of the Nice Classification, but was transferred to Class 7 under the Tenth (10th) edition which came into force on 1 January 2012. If an applicant intends to file for the registration of his mark "XYZ" in respect of the goods "vending machines" in the year 2012, the aforesaid goods should be classified in Class 7. If the applicant conducts a search for conflicting marks in respect of "XYZ" with the cross-class search function enabled, the search report will generate a list of marks similar or identical to "XYZ" that were filed in respect of both Classes 7 and 9. If the cross-class search function is disabled, only marks filed in respect of Class 7 will be displayed and the applicant will not be able to learn of any possible conflicting marks in respect of Class 9.

Trade Mark Category

Display Options

- Mark Images only
- Mark Images and Details

10 Records Per Page

* Mandatory field

Search Close

Last updated on 15 Aug 2013

アルファベット
入力

漢字入力

商品分類の指
定(必須)

一覧表示の
出力形式

商標の種類
の指定(例: 立体商標)



eTrademarks is an online service facilitating filings and searches on trade marks.



Search Result - List of Mark Images

Search Criteria

Trade Mark Category : all

Text : sony

Class No : 01

Note:
Due to changes made to the International Classification of Goods and Services, cross-class searches are conducted on the following classes:

Subject Class Cross-Class Searched
Class 1 Class 2

Total Marks: 1 - 25 of 34. (Note: Only the first 1200 records will be displayed.)

Result Page:

[<First](#) [<Prev](#) 1 [2](#)

[<Next](#) [<Last](#)

検索結果
一覧表示

表示できるのは最
初の1200件のみ

詳細印刷の選択
肢と次操作選択ボ
タン

Total Marks: 1 - 25 of 34.

Result Page:

[<First](#) [<Prev](#) 1 [2](#)

[<Next](#) [<Last](#)

Print Format: Mark Image Only Basic Details Full Details

[Back to Search](#) [Print Selected](#) [Close](#)



eTrademarks is an online service facilitating filings and searches on trade marks.

[Printer-friendly](#)

Search Result - List of Mark Images and Details

Search Criteria

Trade Mark Category : all
 Text : sony
 Class No : 01
Note:
 Due to changes made to the International Classification of Goods and Services, cross-class searches are conducted on the following classes:
 Subject Class : Cross-Class Searched
 Class 1 : Class 2
 No of records per page : 10
 Total Marks: 1 - 10 of 34. **(Note: Only the first 1200 records will be displayed.)**
 Result Page:
 <First><Prev> 1 2 3 4 <Next><Last>

Close

TM No : [T0814981D](#)
 Class No : 01, 02, 03, 04, 05, 06, 07, 08, 09, 10, 11, 12, 13, 14, 15, 16, 17, 18, 19, 20, 21, 22, 23, 24, 25, 26, 27, 28, 29, 30, 31, 32, 33, 34, 35, 36, 37, 38, 39, 40, 41, 42, 43, 44, 45

SONY

詳細表示は番号をクリック

TM No : [T7459973C](#)
 Class No : 02
 Mark Status : Registered
 Company Name : SONY CORPORATION
 Application Date : 01 Feb 1974

SONY

TM No : [T7254998D](#)
 Class No : 01
 Mark Status : Registered
 Company Name : SONY CORPORATION
 Application Date : 08 Jun 1972

SONY

TM No : [T9501882I](#)
 Class No : 01
 Mark Status : Registered
 Company Name : SONY CORPORATION
 Application Date : 01 Mar 1995

Sony
Chemicals



eTrademarks is an online service facilitating filings and searches on trade marks.

[Printer-friendly](#)

Details of Mark

Trade Mark Number:
T7459973C

SONY

National

Application Type : Trade Mark
 Class : 02
 Part : A
 Converted Application : N
 Application Date : 01 Feb 1974
 Mark Lodged in Colour : N
 Mark Status : Registered
 Mark Status Date : 01 Feb 1974
 Mark Previous Status : Pending
 Status Update Date : 03 Feb 2005
 Publication Status : Published

More Details on Mark Status:-

Cert Issuance Date : 06 Apr 1976
 Expiry Date : 01 Feb 2015
 Publication of Acceptance Date : 21 Nov 1975

Claims for:-
 colour(s) as a trade mark : N
 3-dimensional shape : N
 aspect of packaging : N

Mark Index

Words in Mark : SONY

Specification of Goods/Services

Class 02
 Paints, varnishes, lacquers, preservative oil for wood, colouring matters for food and liquids, dyestuffs, natural resins.

Current Applicant/Proprietor Details

Code : C0047204D
 Company : SONY CORPORATION
 Country : JAPAN

Address : 1-7-1 Konan Minato-Ku, Tokyo, 108-0075 Japan

Agent/Address For Service (AFS)

S/No	Agent/AFS Details	Action Representing
01	SHEARN DELAMORE & CO C/O DREW & NAPIER (INTELLECTUAL PROPERTY) 10 COLLYER QUAY #10-01 OCEAN FINANCIAL CENTRE Singapore 049315	Application & registration
02	SHEARN DELAMORE & CO C/O DREW & NAPIER (INTELLECTUAL PROPERTY) 10 COLLYER QUAY #10-01 OCEAN FINANCIAL CENTRE Singapore 049315	Renewals

[Amendment History](#)

Close



eTrademarks is an online service facilitating filings and searches on trade marks.

Online Trade Marks Enquiry

Please Select Marks Browsing Option:

Select a Value

商標の状態(登録、失効など)や権利者名など、検索の項目を指定する。

上で指定した内容により、入力する項目が示される。入力の必要が無い項目はグレーになる。

Additional Information

Trade Mark Number (Tyynnnnnchnn) E.g. T0012345C-67 or T0012345C67

From (DD/MM/YYYY)

To (DD/MM/YYYY)

Class No (Class range or individual number. E.g. 1-5 or 1,3,4)

Individual / Company Name (Entry of partial name is acceptable. For example, The ABC Company Limited can be entered as ABC. All records matching ABC will be retrieved.)

* Mandatory field

Search

Close

Last updated on 15 Aug 2013



eTrademarks is an online service facilitating filings and searches on trade marks.

[Printer-friendly](#)

Search Result - List of Mark Images and Details

Search Criteria

Marks Browsing Option : Registered Marks

Class No : 04

From : 01/01/2000

To : 31/12/2000

Total Marks: 1 - 10 of 36. (Note: Only the first 1200 records will be displayed.)

Result Page:

<First> <Prev> 1 2 3 4 <Next> <Last>

Close



TM No : [T000549Z](#)
Class No : 04
Mark Status : Registered
Company Name : MR ANTHONY TAN TEO SIONG

詳細表示は番号
をクリック



TM No : [T000550C](#)
Class No : 04
Mark Status : Registered
Company Name : MR ANTHONY TAN TEO SIONG
Application Date : 15 Jan 2000



TM No : [T000781F](#)
Class No : 04
Mark Status : Registered
Company Name : Kwak Soo Chuan
Application Date : 20 Jan 2000



eTrademarks is an online service facilitating filings and searches on trade marks.

[Printer-friendly](#)

Details of Mark



Trade Mark Number:
T000550C

National

Application Type : Trade Mark
Class : 04
Part : N
Converted Application : N



National

Application Type : Trade Mark
Class : 04
Part : N
Converted Application : N
Application Date : 15 Jan 2000
Mark Lodged in Colour : N
Mark Status : Registered
Mark Status Date : 15 Jan 2000
Mark Previous Status : pending
Status Update Date : N
Publication Status : Published

More Details on Mark Status:-
Cert Issuance Date : 13 Aug 2001
Expiry Date : 15 Jan 2000
Publication of Acceptance Date : 04 May 2001

Claims for:-
colours as a trade mark : N
3-dimensional shape : N
Aspect of packaging : N

Mark Index

Words in Mark : worthen
Device Description : square rounded-corners bands

Specification of Goods/Services

Class 04
Automotive lubricants; industrial lubricants; metal working lubricants; marine lubricants; greases.

Current Applicant/Proprietor Details

Code : 00218850E
Company : MR ANTHONY TAN TEO SIONG
Country : SINGAPORE

Address : 10 ANSON ROAD #31-17 INTERNATIONAL PLAZA Singapore 079903

Agent/Address For Service (AFS)

810 Agent's Details
S1 S/O WORTHEN'S PETROLEUM
10 ANSON ROAD #31-17 INTERNATIONAL PLAZA Singapore 079903
Action Representing
Applicant's registration

[Amendment History](#)

Close



eTrademarks is an online service facilitating filings and searches on trade marks.

Classification of Goods and Services

Classification Search

Note:

1. The International Classification of Goods and Services for the Purposes of the Registration of Marks (also known as the Nice Classification) serves to determine the scope of protection of trade marks. The Nice Classification divides goods and services into 45 classes. Classes 1 to 34 relate to goods, while Classes 35 to 45 relate to services. To find out the class number to which a product or service belongs, please use our search database.
2. This search database contains items as listed in the **Nice Classification, 10th edition, Version 2013** and additional items determined by IPOS to be in conformity with the International Classification of Goods and Services.
3. You can conduct a search by selecting a class number and/or by entering a search term.
4. If you wish to view all the descriptions listed in a particular class, please select the class number from the pull-down list and click the [Search] button.
5. If you do not know the class to which your goods or services relate, please leave the class number as "ALL" and enter the description(s) of your goods or services in the "Search Criteria" field. The search results will be returned in a summary page, stating the number of hits for each class.
6. If multiple words are entered for the search, results returned will be based on all the words entered. For example, if "computer equipment" is entered, the system will search for descriptions that contain both the words "computer" and "equipment" and not "computer" or "equipment". That is to say, if an item consists of only the word "computer", it will not be retrieved.
7. IPOS has signed a **Memorandum of Cooperation (MOC)** with the **USPTO, JPO and OHIM** (collectively known as the Trilateral Partners) to validate an agreed list of goods and services acceptable or otherwise in the four jurisdictions. To view the items in the Trilateral List of Goods and Services that are deemed acceptable to IPOS under the current edition of the Nice Classification, please click [here](#).
8. All applications filed on or after 1 January 2013 will be examined according to the Nice Classification, 10th edition, Version 2013.
For applications filed from 1 January 2012 to 31 December 2012, please refer to the [Nice Classification, 10th edition](#).
For applications filed from 1 January 2007 to 31 December 2011, please refer to the [Nice Classification, 9th edition](#).

Class Number

ALL

区分から調べる

Search Criteria

Search Close

商品名・サービス名
から調べる

Last updated on 15 Aug 2013



eTrademarks is an online service facilitating filings and searches on trade marks.

Classification of Goods and Services

Search Results

Note:

To view the search results in more than one class, please hold the **Ctrl** or **Shift** key and select numbers. Thereafter, please click the [View Description] button.

Class number	Number of matches
09	43

09	43
----	----

[Back](#) [View Description](#) [Close](#)

商品・サービスの詳細を見る
にはここをクリック



eTrademarks is an online service facilitating filings and searches on trade marks.

Classification of Goods and Services

- Antenna boosters (09).
- Antenna masts (09).
- Antenna positioners (09).
- Antenna terminal boards (09).
- Antenna timing units (09).
- Antenna transmission wire (09).
- Antennae (09).
- Antennae apparatus (09).
- Antennae arrays (09).
- Antennae arrays for use in radio broadcasting (09).
- Antennae filters (09).
- Antennas (09).
- Antennas for car radios (09).
- Antennas for radios (09).
- Antennas for receiving audio signals (09).



eDesigns is an online service facilitating filings and searches on designs.

WIPO意匠検索へ

Design Enquiry



Search Criteria

Design No / /

Applicant's Name

Filing Date From Filing Date To

Class No Sub-Class No [Open Full class list](#)

Article

UK Design No

分類参照

免責事項

DISCLAIMER STATEMENT

This search facility ("this facility") makes available information pertaining to information related to designs at the Registry of Designs, Intellectual Property Office of Singapore ("IPOS"). The use of this facility, or the use or reliance on any information accessed through this facility, is entirely at the user's risk. Neither IPOS, nor the Registrar represent, warrant, or otherwise guarantee, expressly or impliedly, the merchantability, fitness or suitability for a particular purpose, accuracy, reliability, or completeness of any information made available on or accessed through this facility. The user is solely responsible for all determinations regarding any use of information made available or accessed through this facility. Whilst care has been taken to ensure that information is correct and updated, neither IPOS nor the Registrar undertakes any responsibility for errors or omissions. Each of IPOS and the Registrar hereby disclaims, to the fullest extent permitted under applicable law, any and all liability for loss, damage, or injury directly or indirectly suffered or incurred by anyone using this facility, or by anyone using or relying on any information made available or accessed through this facility. Neither IPOS nor the Registrar, shall in any way be bound by any output or results obtained through the use of this facility. IPOS reserves the right to suspend, modify or discontinue this facility at any time without prior notice.

In this Disclaimer Statement, "Registrar" means the Registrar of Designs referred to in Section 49 of the Registered Designs Act(Cap. 266).

[^Top](#)

Last updated on 21 Jan 2011



eDesigns is an online service facilitating filings and searches on designs.

Design Search Results

Total Designs: 1 - 25 of 1076.

(Note: Only the first 1200 records will be displayed.)

Result Page:

[First](#) <[Prev](#)> 1 2 3 4 5 6 7 8 9 10 11

<[Next](#)> [Last](#)>

[Print](#) [Close](#)

詳細表示は、番号をクリックする。

 D 2000/70/I	 D 2001/146/E	 D 2001/147/A	 D 2001/148/H	 D 2001/149/D
 D 2001/150/B	 D 2001/151/I	 D 2001/260/B	 D 2001/335/B	 D 2001/461/H
 D 2001/462/D	 D 2001/465/C	 D 2001/481/I	 D 2001/482/E	 D 2001/483/A
 D 2001/484/H	 D 2001/519/F	 D 2001/520/D	 D 2001/521/J	 D 2001/522/G
 D 2001/523/C	 D 2001/524/Z	 D 2001/525/E	 D 2001/526/B	 D 2001/527/I

Total Designs: 1 - 25 of 1076.

Result Page:

<[First](#)> <[Prev](#)> 1 2 3 4 5 6 7 8 9 10 11

<[Next](#)> <[Last](#)>

[Print](#) [Close](#)

[Top](#)



eDesigns is an online service facilitating filings and searches on designs.

View Imagesをクリック
すると当該番号の図
を表示する

[View Images](#)

Design Details

Design Number : D 2000/70/1
 Applicant's Name : (1) SONY KABUSHIKI KAISHA (SONY CORPORATION)
 Filing Date : 29/12/2000
 Class / Sub-class Number : 16-01
 Priority Date / Country : (1) 30/06/2000 / JAPAN
 Renewal Due Date : 30/06/2010
 Expiry Date : 30/06/2015
 Status : Lapsed

Article(s) to which the Design Applies

ELECTRONIC STILL CAMERA INCORPORATING A MONITOR DISPLAY AND RECORDER/PLAYER

Applicant's Rights with respect to Design

BY VIRTUE OF ASSIGNMENT

Journal Number and Date

1/2001 30/03/2001

Statement of Novelty

THE FEATURES OF THE DESIGN FOR WHICH NOVELTY IS CLAIMED ARE THE SHAPE AND CONFIGURATION OF THE ARTICLE AS SHOWN IN THE REPRESENTATIONS.

Disclaimer

Applicant's Details

1 Name : SONY KABUSHIKI KAISHA (SONY CORPORATION)
 Address : 1-7-1 KONAN, MINATO-KU, TOKYO, JAPAN.
 Constitution Type : A JOINT STOCK COMPANY
 Country / Citizenship : JAPAN
 State of Incorporation :
 Telephone Number :
 Fax Number :

Agent/Address For Service

Code : AG10291
 Name : DREW & NAPIER LLC
 Address : 10 COLLYER QUAY
 OCEAN FINANCIAL CENTER
 #10-01
 SINGAPORE 049315
 Telephone Number : 531 2560/531 2566
 Fax Number : 533 0694

Renewal Details

S/No.	Received on	Current Renewal Date	Next Renewal Date	Status	Agent Name
1	13/05/2005	30/06/2005	30/06/2010	Approved	RAVINDRAN ASSOCIATES

Subsequent Actions

Nil.

[Print](#) [Close](#)

[^Top](#)




eDesigns is an online service facilitating filings and searches on designs.

Design Images


Annex A 1

Design Number : [D 2000/70/1](#)
Filing Date : 29/12/2000
Class / Sub-class No : 16-01
Status : Lapsed




FRONT VIEW

2




REAR VIEW

3




LEFT SIDE VIEW

4




RIGHT SIDE VIEW

5




PLAN VIEW

6



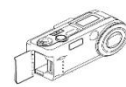
UNDERNEATH PLAN VIEW

7




ISOMETRIC VIEW

8



ISOMETRIC VIEW WITH OPEN SHUTTER

9



ISOMETRIC VIEW WITH LENS EXTENDED

[Print](#) [Close](#)

[^Top](#)